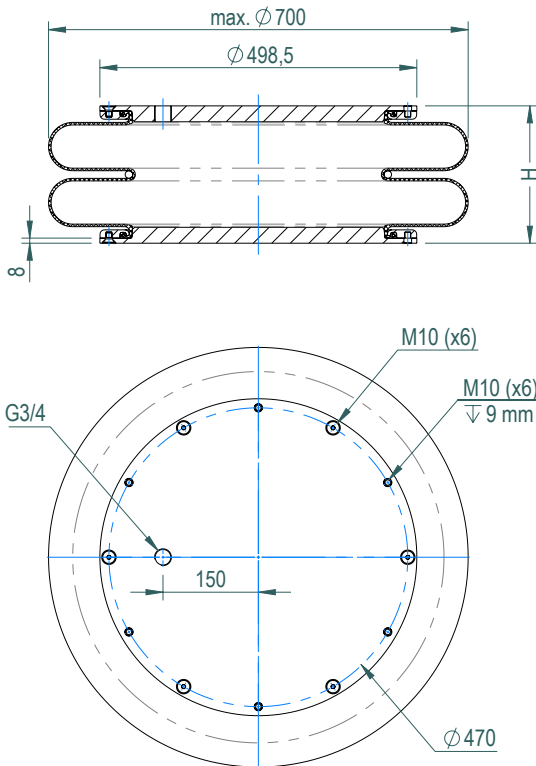


D SERIES  
Dismountable Design

## 26"x2

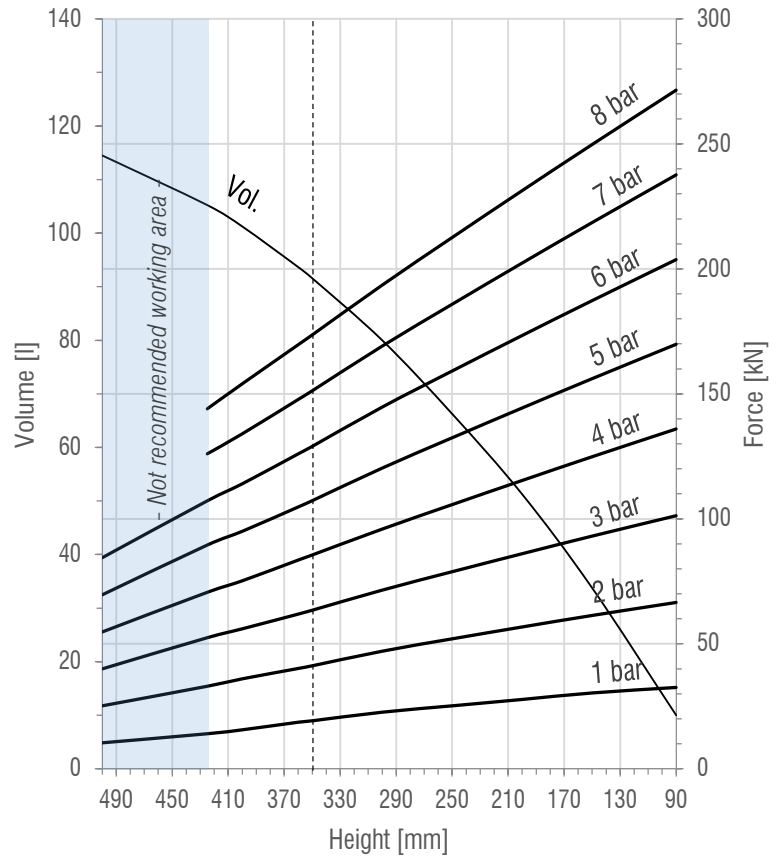
DOUBLE  
CONVOLUTION

### DRAWING



**M10** = 25 Nm **G3/4** = 50 Nm

### FORCE-HEIGHT CHART



### TECHNICAL DATA

#### PRODUCT CHARACTERISTICS

Static diameter [mm]	660
Max. diameter [mm]	700
Required space diameter [mm]	750
Min. height [mm]	90
Static height [mm]	200
Design height [mm]	350
Max. usable height [mm]	425
Max. stroke [mm]	335
Force to compress to $H_{min}$ at 0 bar [N]	150
Weight [kg]	24,0

#### REFERENCES

26x2_B	Rubber bellow only
26x2_D	With aluminium end closures
26x2_D_ST	With steel end closures
26x2_R_TR	With threaded bead rings

Designs available with stainless steel and high temperature rubber compounds.  $\varnothing 601$ mm plate and additional designs on request.

#### DYNAMIC CHARACTERISTICS FOR USE AS ISOLATOR

Pressure [bar]	3	4	5	6	7	Vol. [l]
Load [kN]	63,4	85,5	107,3	129,0	151,2	91,6
Spring rate [N/mm]	422	539	656	772	889	
Natural frequency [Hz]	1,29	1,26	1,24	1,22	1,21	
Isolation rate at 10 Hz	98,3%	98,4%	98,4%	98,5%	98,5%	

Values at recommended design height  $H$ : 350 mm -----

#### STATIC CHARACTERISTICS FOR USE AS ACTUATOR

Pressure [bar]	3	4	5	6	7	Vol. [l]	
Height $H$ [mm]	100	100,5	134,4	168,3	201,2	234,5	14,0
	150	93,1	124,9	156,1	187,3	218,5	33,8
	200	86,1	115,4	144,4	173,4	202,3	51,3
	250	78,9	105,7	132,4	159,2	185,9	66,3
	300	71,5	95,9	120,3	144,7	169,1	80,0
	350	63,4	85,5	107,3	129,0	151,2	91,6
400	56,0	75,2	95,0	114,0	134,0	101,3	

Force values [kN]

All Volume [l] values at 5 bar