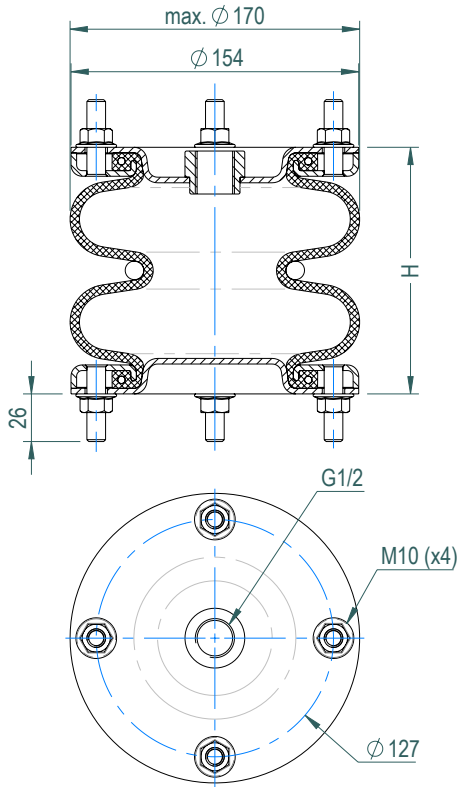


D SERIES
Dismountable Design

6"x2 ST

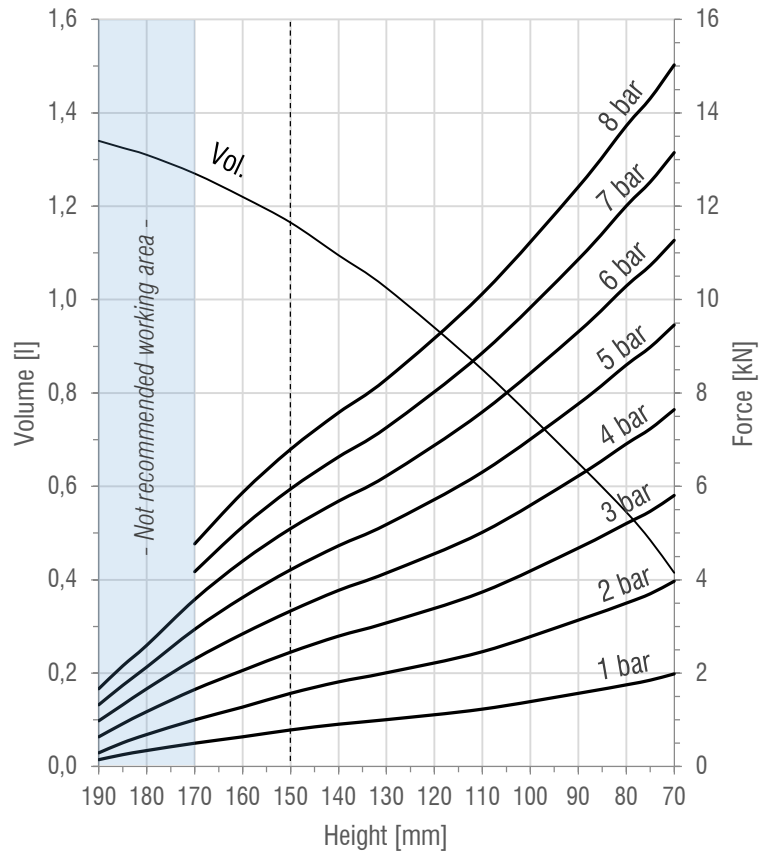
DOUBLE
CONVOLUTION

DRAWING



M10=25 Nm **G1/4=25 Nm**

FORCE-HEIGHT CHART



TECHNICAL DATA

PRODUCT CHARACTERISTICS

Static diameter [mm]	155
Max. diameter [mm]	170
Required space diameter [mm]	185
Min. height [mm]	70
Static height [mm]	125
Design height [mm]	150
Max. usable height [mm]	190
Max. stroke [mm]	120
Force to compress to H_{min} at 0 bar [N]	170
Weight [kg]	2,2

REFERENCES

6x2_B	Rubber bellow only
6x2_D_ST	With steel end closures

Designs available with stainless steel and high temperature rubber compounds. Additional designs on request.

DYNAMIC CHARACTERISTICS FOR USE AS ISOLATOR

Pressure [bar]	3	4	5	6	7	Vol. [l]
Load [kN]	2,5	3,3	4,2	5,1	5,9	1,2
Spring rate [N/mm]	62	79	94	110	127	
Natural frequency [Hz]	2,51	2,43	2,36	2,32	2,31	
Isolation rate at 10 Hz	93,3%	93,7%	94,1%	94,3%	94,4%	

Values at recommended design height H: 150 mm -----

STATIC CHARACTERISTICS FOR USE AS ACTUATOR

Pressure [bar]		3	4	5	6	7	Vol. [l]
Height H [mm]	70	5,8	7,6	9,5	11,3	13,1	0,4
	90	4,7	6,2	7,8	9,3	10,9	0,7
	110	3,7	5,0	6,3	7,6	8,9	0,9
	130	3,1	4,1	5,2	6,2	7,3	1,0
	150	2,5	3,3	4,2	5,1	5,9	1,2
	170	1,7	2,3	2,9	3,6	4,2	1,3

Force values [kN]

All Volume [l] values at 7 bar