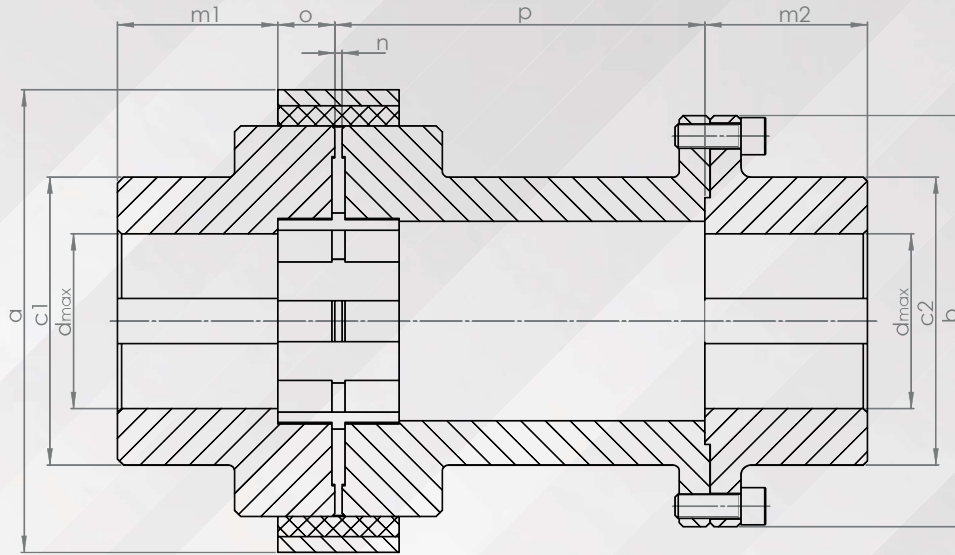


UNE'S PRODUCT RANGE / ACOFLEX



Acoflex AS Series | Coupling with dismantling spacer for pump drives

Coupling Size	AS-1	AS-2	AS-3	AS-4	AS-5	AS-6	AS-7
Nominal Torque [Nm]	50	100	200	400	1.000	2.000	4.000
Max. Torque [Nm]	90	250	500	1.000	2.500	4.000	8.000
Max. Speed [rpm]	5.500	5.000	4.500	3.500	2.900	2.500	2.200
Diameter [mm]							
a	80	107	140	176	225	267	307
b	100	120	140	178	225	265	290
c1	65	80	85	110	140	180	205
c2	67	83	107	140	179	198	230
dmax	38	42	50	65	85	110	130
Length [mm]							
m1	34	47	56	63	77	95	116
m2	37	54	60	65	79	95	120
n	1,5	2,5	2,5	3,5	3,5	3,5	4
o	10	15	20	25	29	33	37
p*	100	100	100	120	140	180	200
	120	120	120	140	180	200	250
	140	140	140	180	200	250	280
Insert No.							
Insert No.	G-1	G-2	G-3	G-4	G-5	G-6	G-7

*Other dimensions "p" upon request