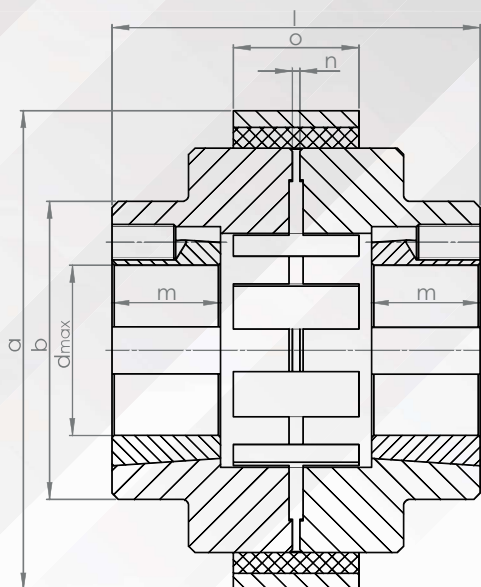
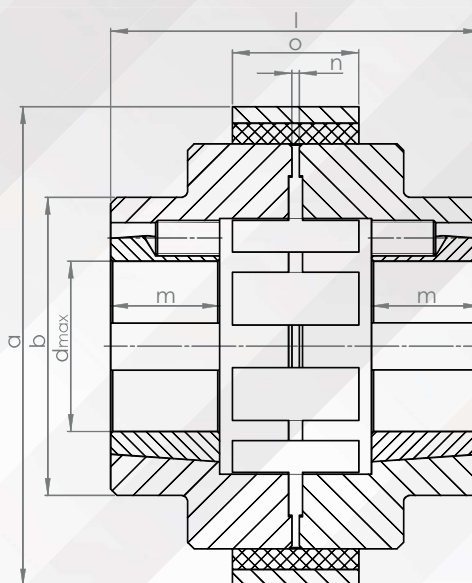


UNE'S PRODUCT RANGE / ACOFLEX



Type HH



Type FF

Acoflex AT Series | Coupling for taper bush

Coupling Size	AT-1	AT-2	AT-3	AT-4	AT-5	AT-6	AT-7
Nominal Torque [Nm]	50	100	200	400	1.000	2.000	4.000
Max. Torque [Nm]	90	250	500	1.000	2.500	4.000	8.000
Max. Speed [rpm]	8.000	6.500	4.800	3.500	2.900	2.500	2.200
Diameter [mm]							
a	80	107	140	176	225	267	307
b	65	80	85	110	140	180	205
dmax	28	32	42	50	75	90	110
Length [mm]							
l	77	97	107	130	173	259	318
m	27	32	32	38	56	95	120
n	1,5	2,5	2,5	3,5	3,5	3,5	4
o	22	32	42	51	59	69	75
Joining Bush & Elastic Insert No.							
Joining Bush No.	1108	1210	1610	2012	3020	3535	4545
Insert No.	G-1	G-2	G-3	G-4	G-5	G-6	G-7