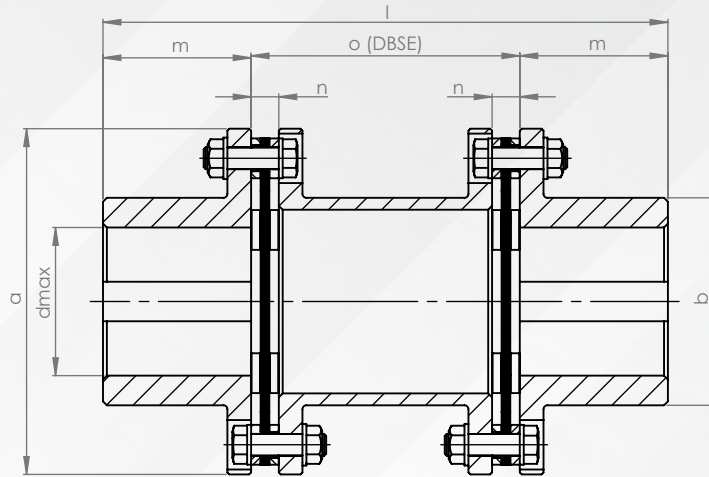


# UNE'S PRODUCT RANGE / LAMAFLEX



## Lamaflex FLS Series

Coupling Size	1	2	3	4	5	6	7	8	9	10	11	12	13
Nominal Torque [Nm]	170	270	490	700	1.250	2.000	3.000	4.400	5.700	7.600	10.000	12.000	18.000
Max. Speed [rpm]	13.400	10.000	8.400	7.500	6.350	6.000	5.350	5.000	4.350	4.100	3.750	3.400	3.100
<b>Diameter [mm]</b>													
a	88	115	135	150	175	185	205	220	250	265	290	315	345
b	39	63	76	91	105	110	120	126	145	154	184	198	214
dmax	28	45	55	65	75	80	90	95	110	115	135	145	160
<b>Length [mm]</b>													
l	115	170	206	246	286	302	302	340	376	414	492	530	566
m	30	45	55	65	75	80	80	90	100	110	130	140	150
n	8	8	11	11	14	15	15	15	18	23	25	27	30
o (1)	55	80	96	116	136	142	142	160	176	194	232	250	266
<b>Mass moment of inertia</b>													
Inertia J [kgm <sup>2</sup> ] (2)	0,001	0,003	0,009	0,015	0,0328	0,048	0,074	0,109	0,211	0,319	0,545	0,765	1,180
Mass m [kg] (2)	1,2	2,5	4,7	6,5	9,8	12,9	15,3	19,7	29,2	37,8	55,0	67,0	84,8

\* Lamaflex permits to obtain the double of the maximum nominal torque in brief periods of time

(1) Other distance dimensions o (DBSE) available on request

(2) Value of complete coupling with maximum finished bores